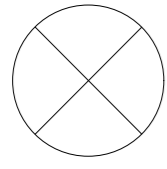
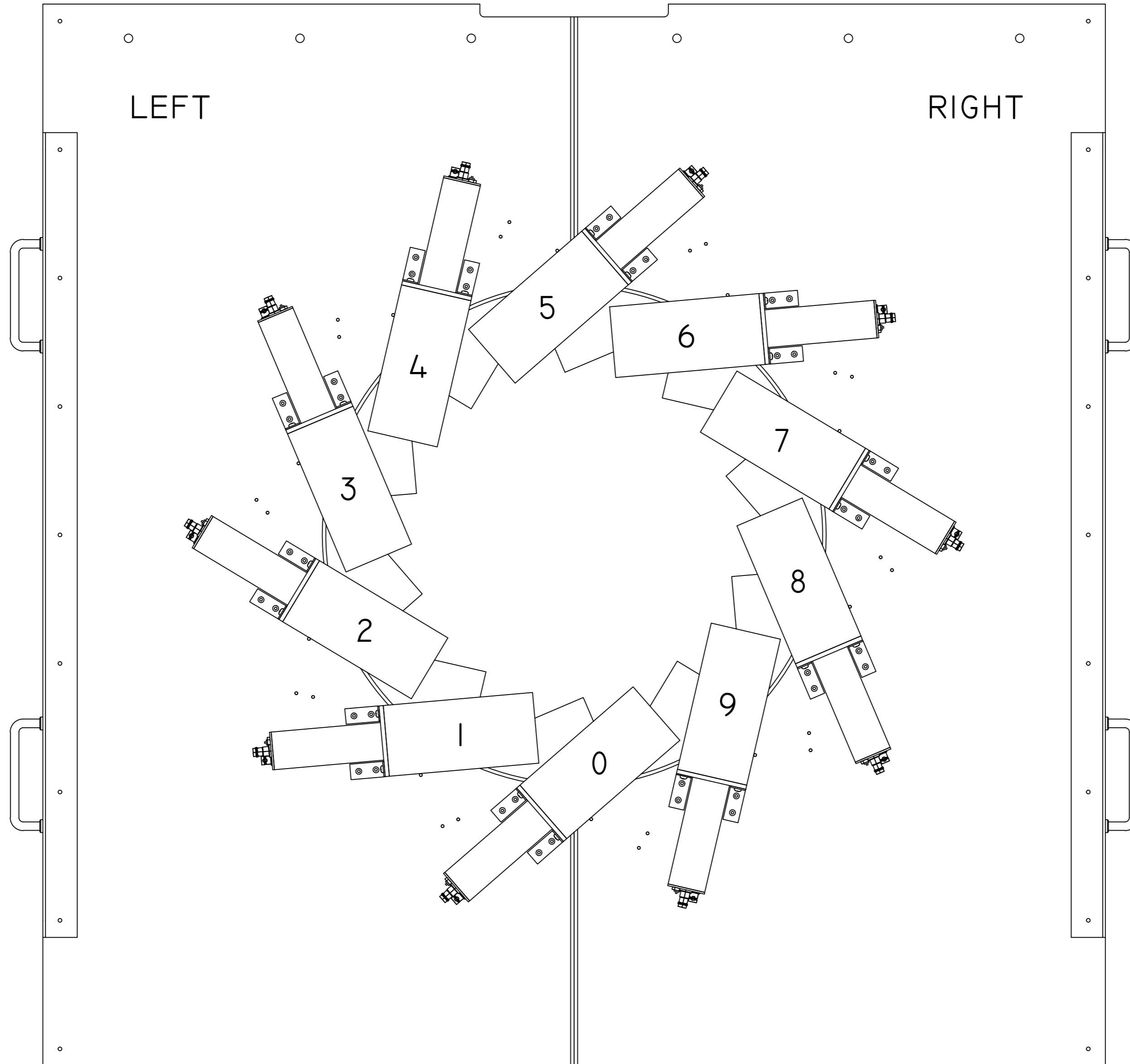


LAYER I

DETECTOR ID

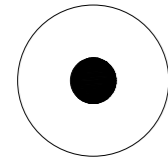


BEAM DIRECTION

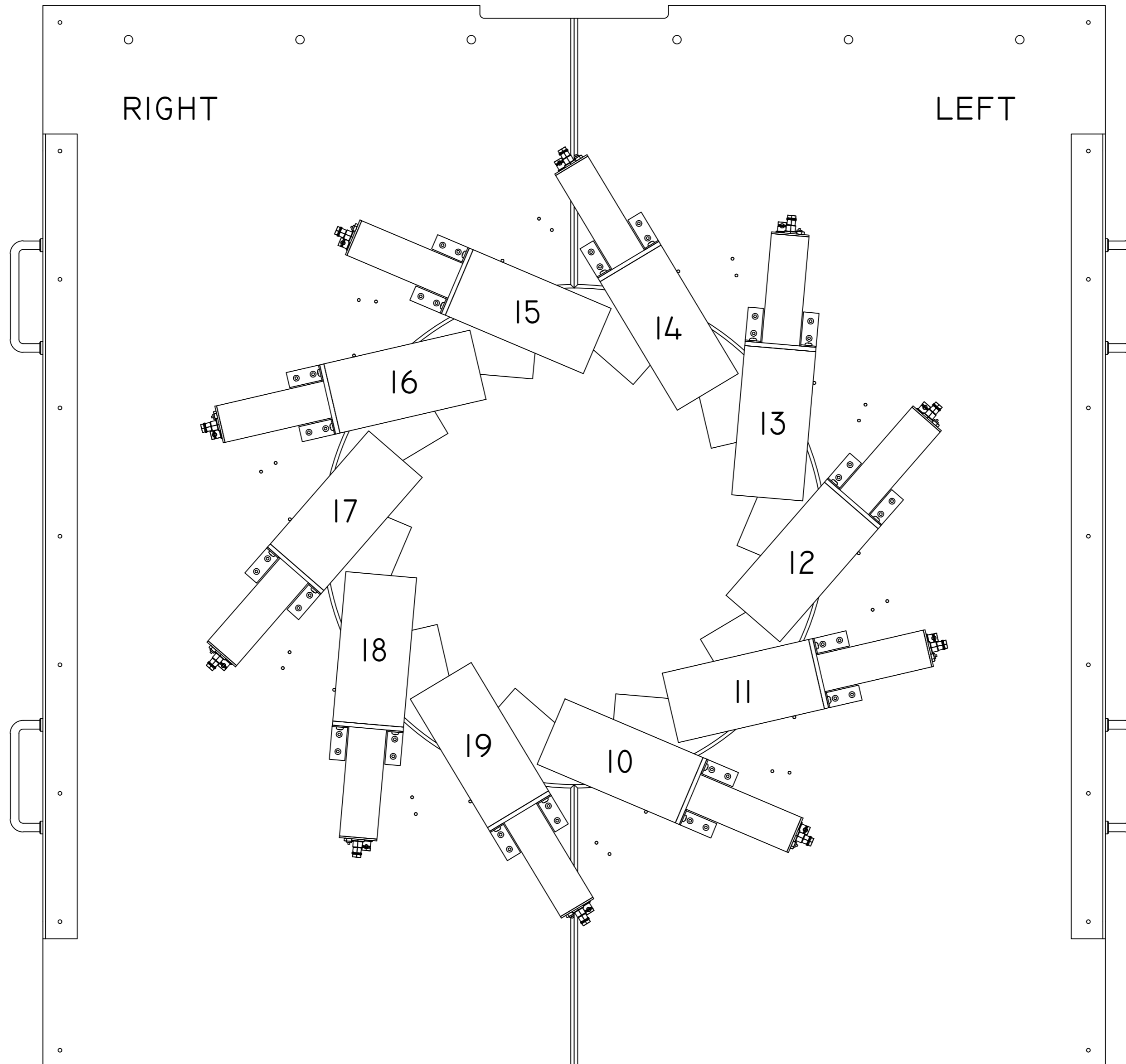


LAYER 2

DETECTOR ID

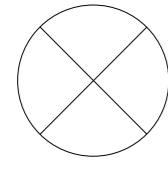


BEAM DIRECTION

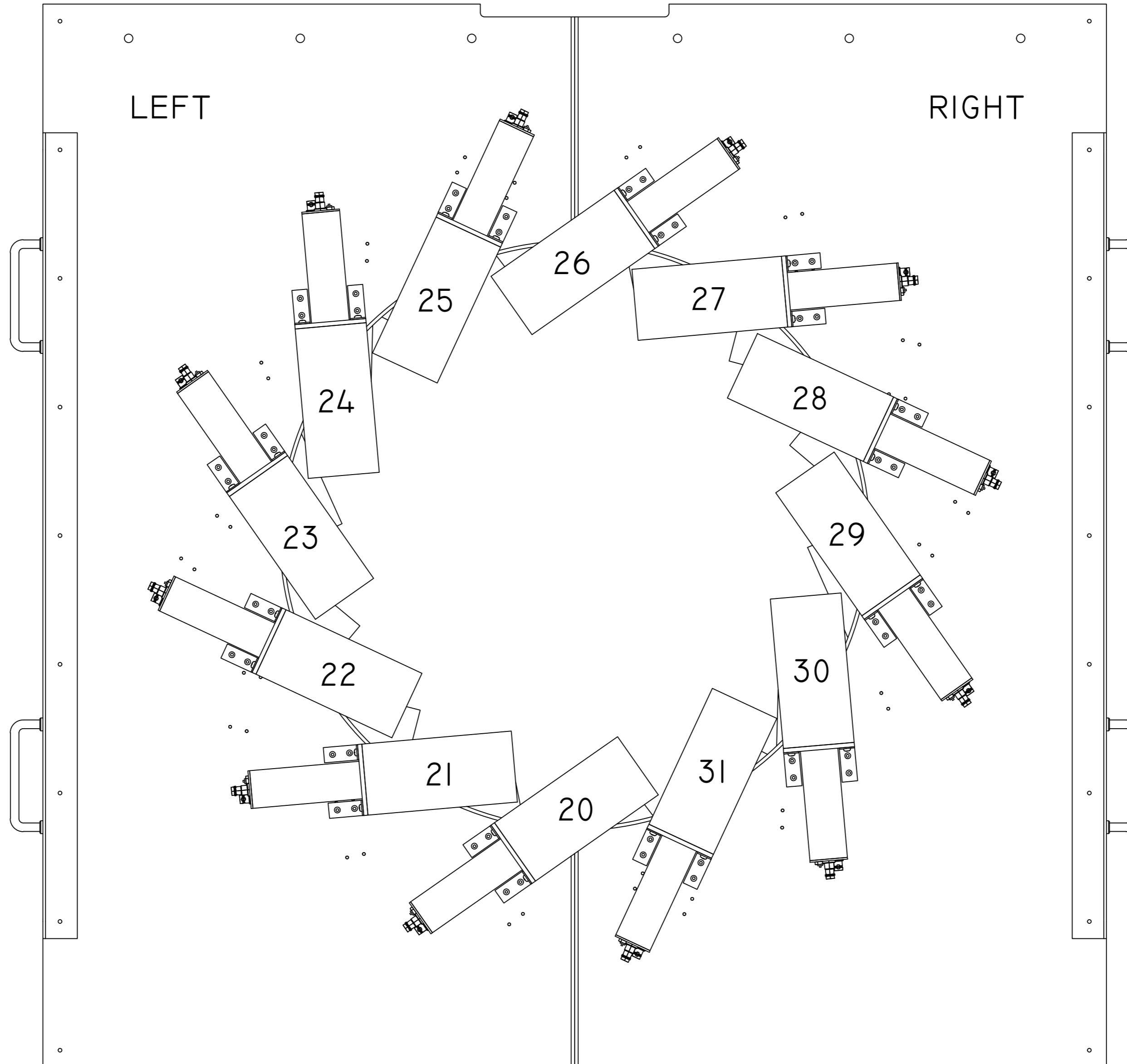


LAYER 3

RESOLUTION ID

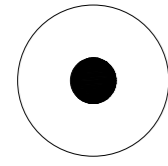


BEAM DIRECTION

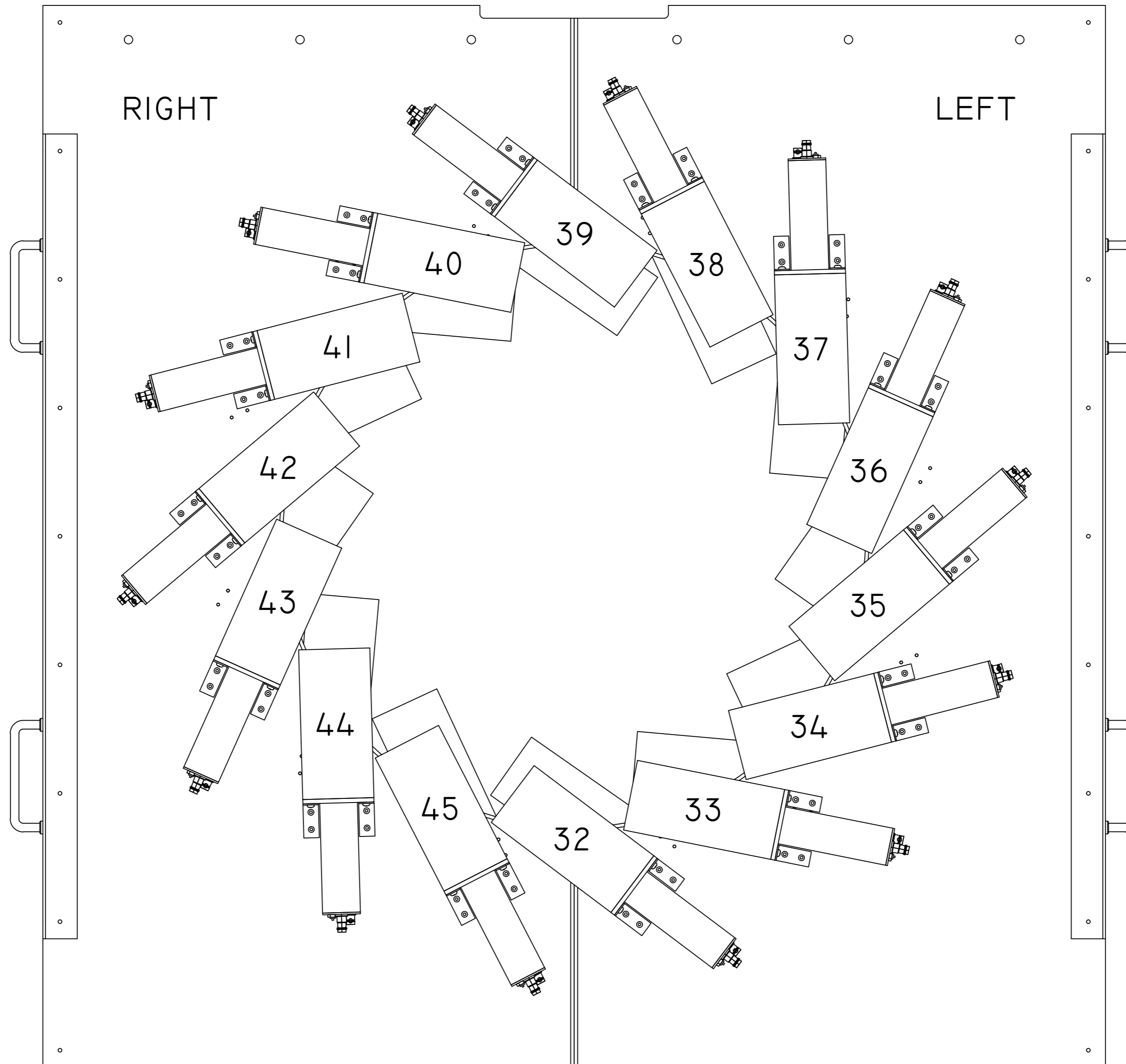


LAYER 4

DETECTOR ID

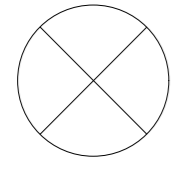


BEAM DIRECTION

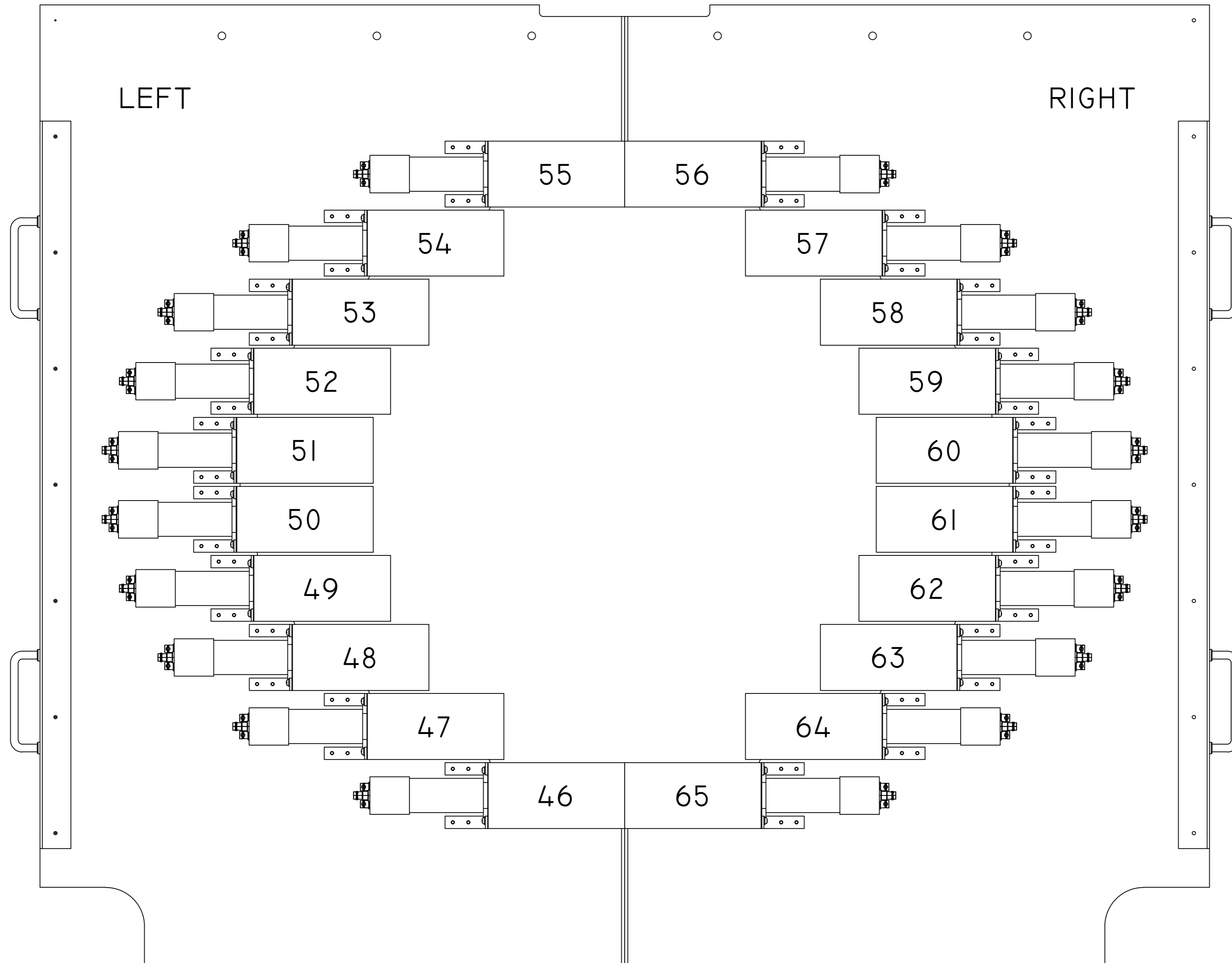


LAYER 5

DETECTOR ID

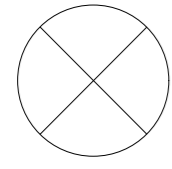


BEAM DIRECTION

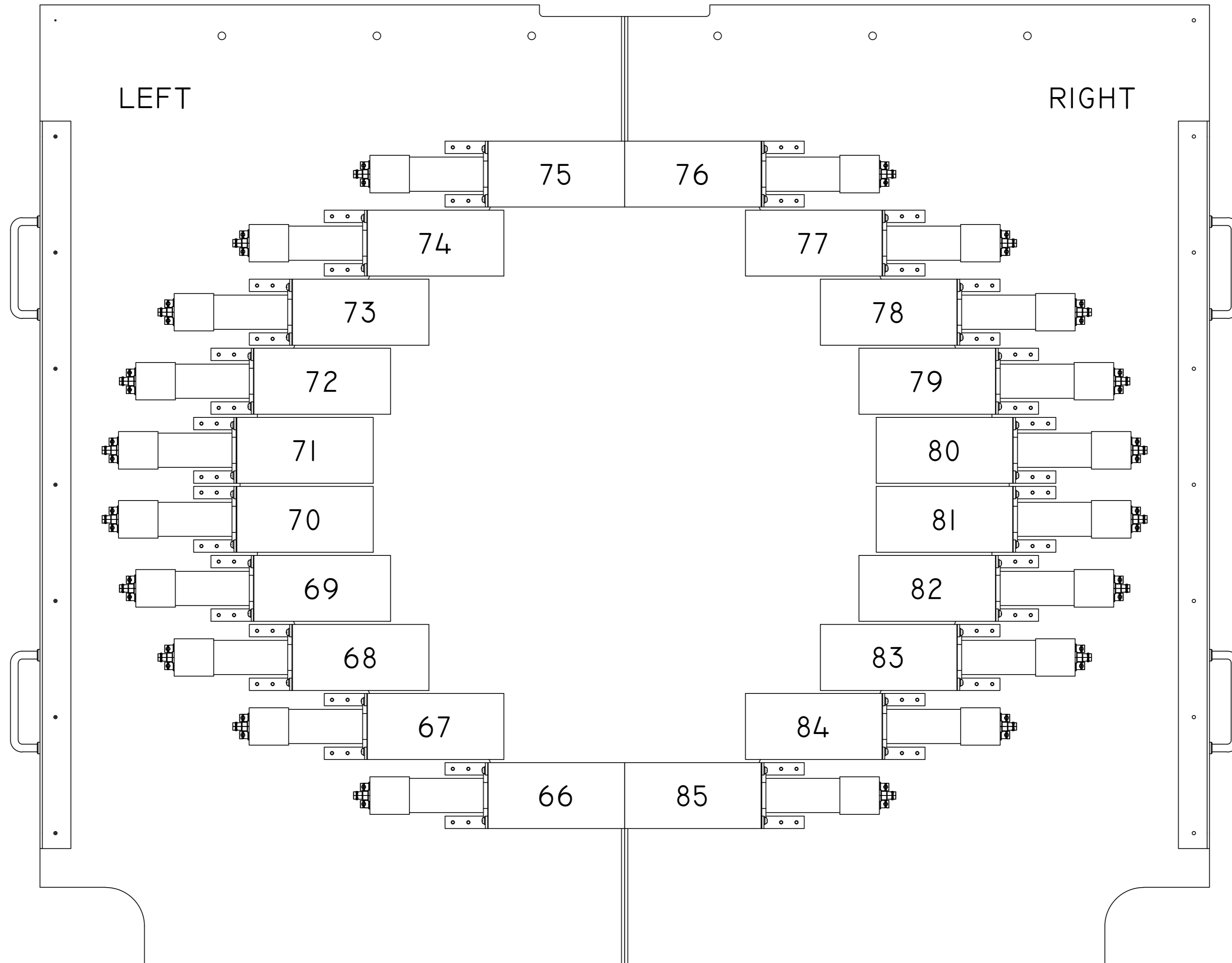


LAYER 6

DETECTOR ID

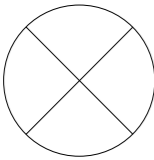


BEAM DIRECTION

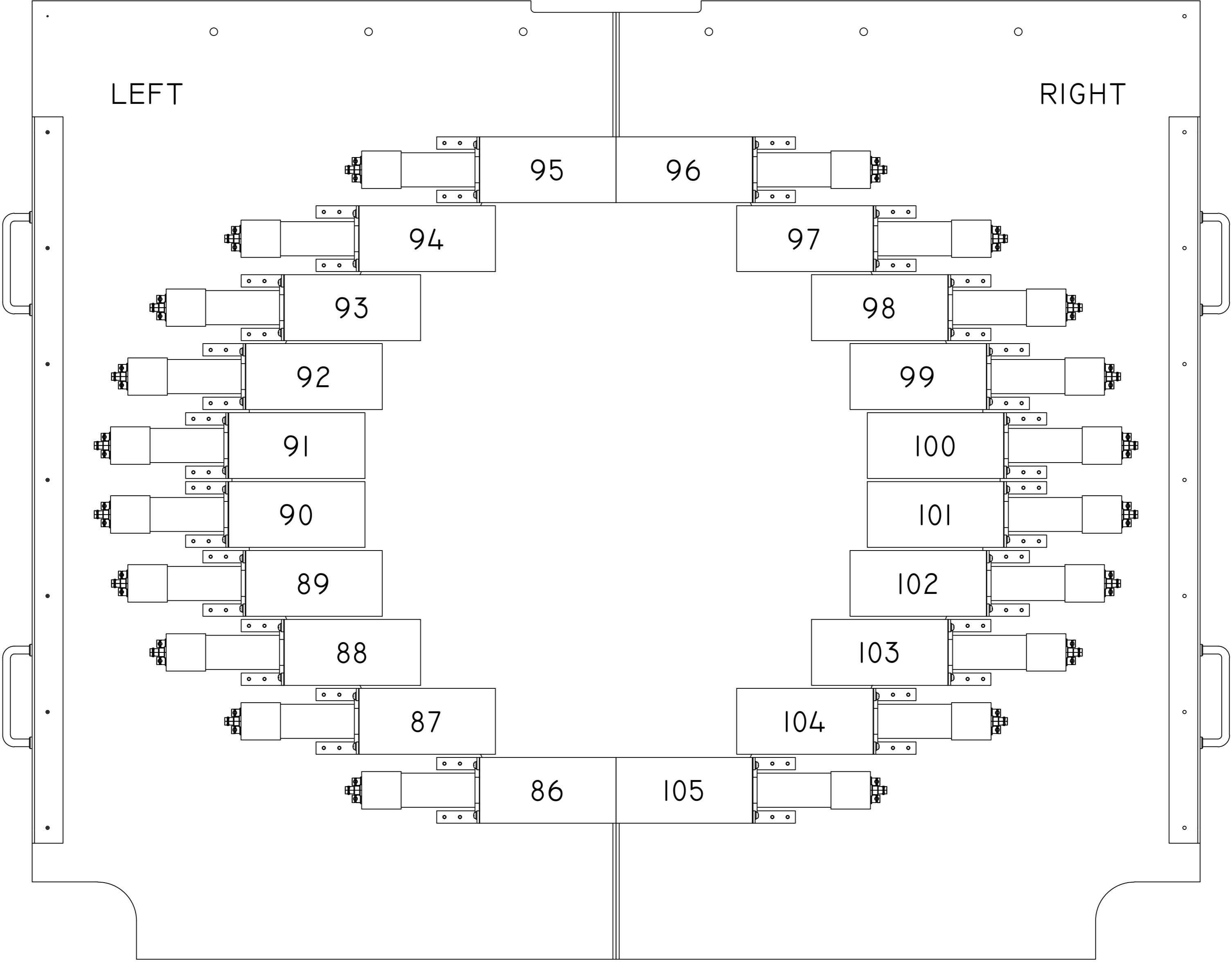


LAYER 7

DETECTOR ID

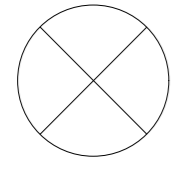


BEAM DIRECTION

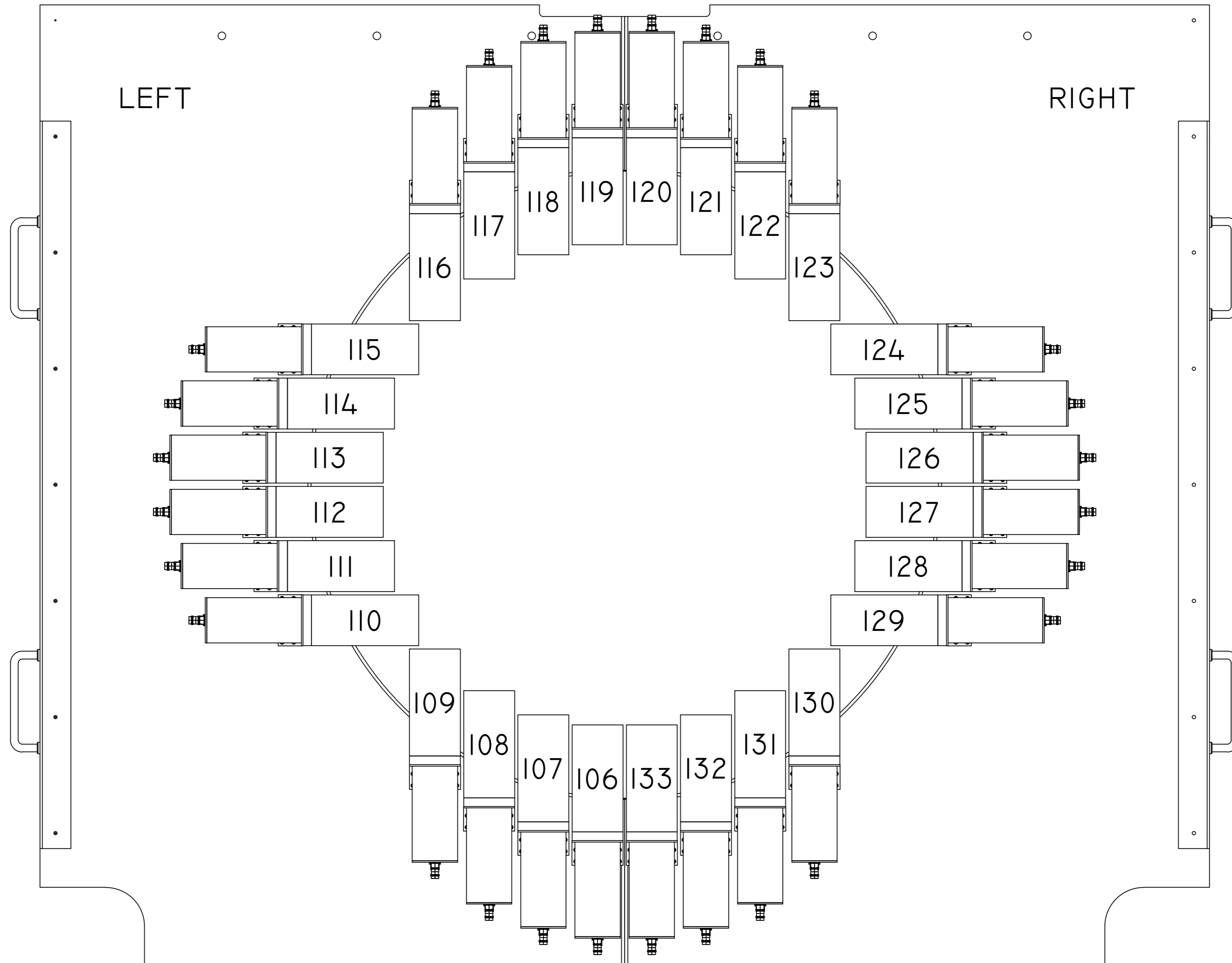


LAYER 8

DETECTOR ID

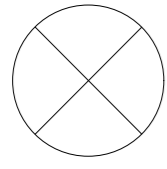


BEAM DIRECTION

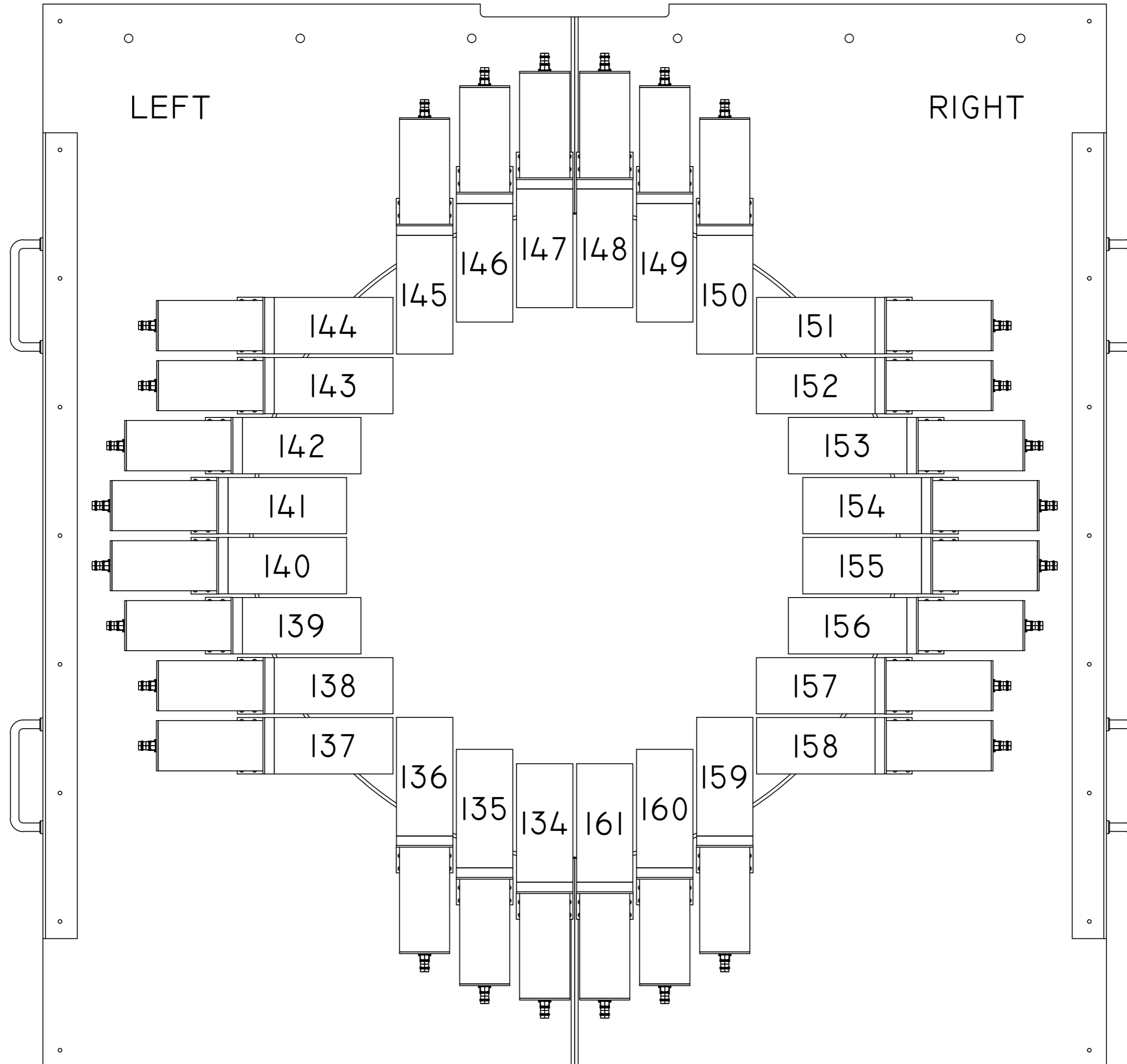


LAYER 9

DETECTOR ID

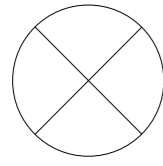


BEAM DIRECTION



LAYER 10

DETECTOR ID



BEAM DIRECTION

